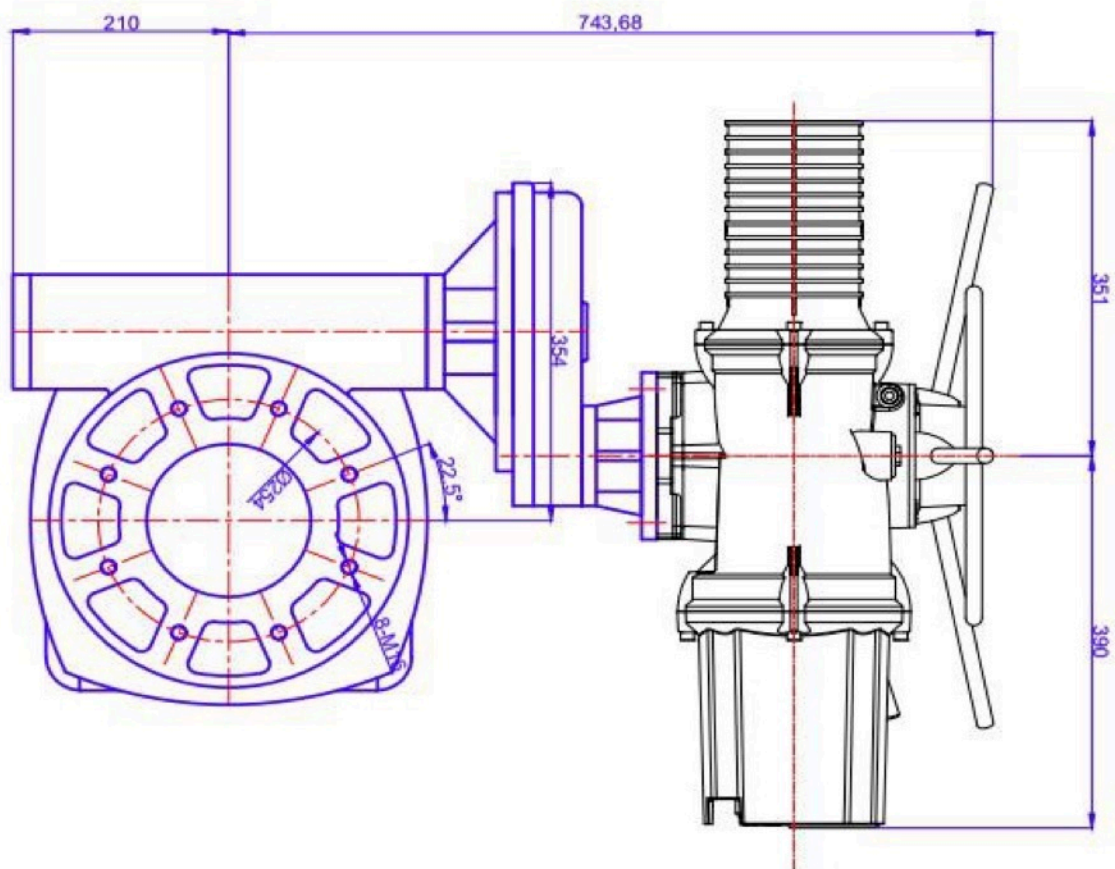
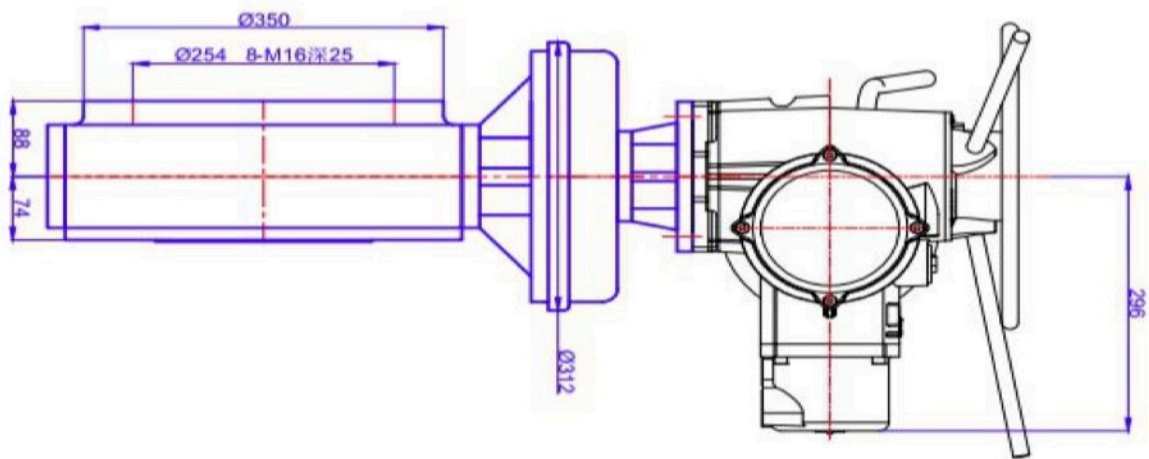


Dimensions

KZC20-GW1080-F30



We reserve the right to alter data according to improvements made. Previous documents become invalid with the issue of this document.

SCHWARZ[®]

Schwarz International GmbH

Issue 2.26